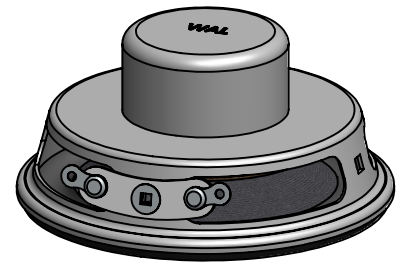
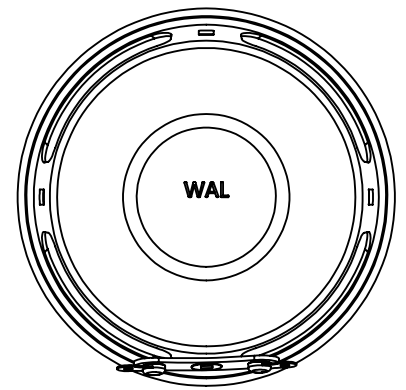


6 5 4 3 2 1

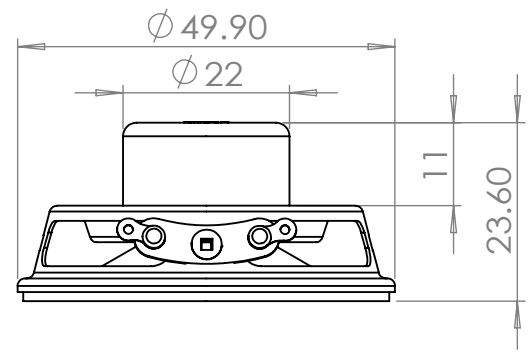
D

D



C

C



B

B

Wealthland (Audio) Limited

TITLE: Raw Speaker

	NAME	SIGNATURE	DATE			
DRAWN						
CHK'D				MATERIAL:		
APPV'D						
MFG						
Q.A				WEIGHT:		

DO NOT SCALE DRAWING REVISION

DWG NO. 50-N22E24 A4

SCALE:1:1 SHEET 1 OF 1

A

A

6 5 4 3 2 1