



## Speaker Specification 规格书

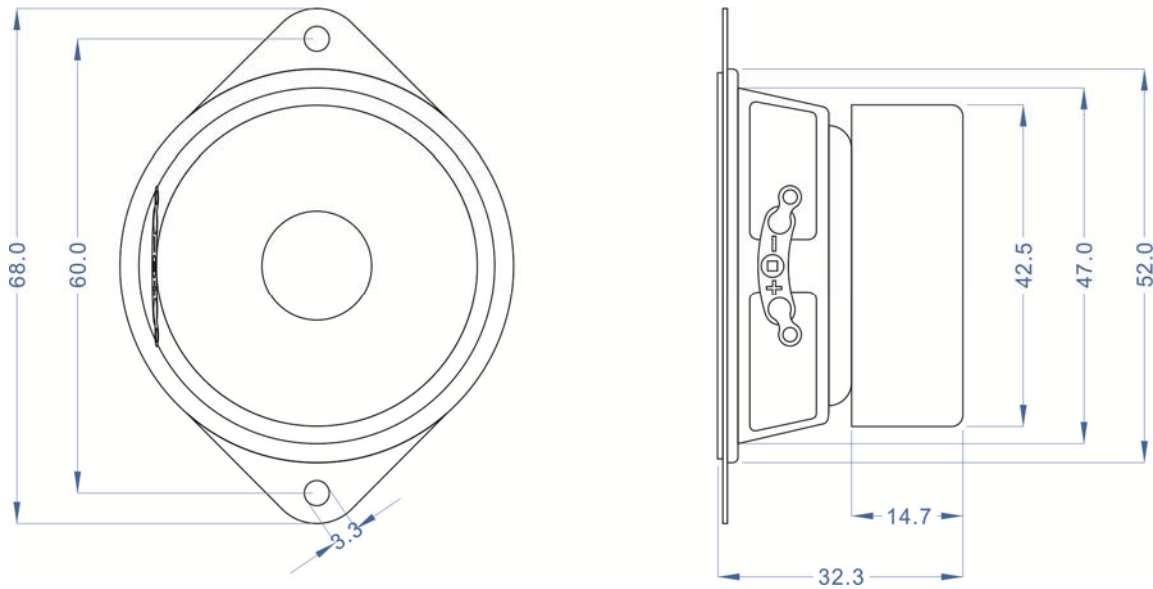
Part no. 型号	52E-M52E323-4	Size 尺寸	52mm ± 0.5	Height 高度	32.3mm ± 0.5
Electrical Feature 电气性能					
No	Item 项目	Specification 规格	Test Condition 测试条件		
1	Voice Coil Impedance 阻抗	4Ω ± 15%	50 Ma at 1KHz 1.0v		
2	Resonant Freq. FO 共振频率	200 Hz ± 20%	Without Baffle		
3	Output S.P.L. 特性灵敏度	85 ± 3dB at 1W / 0.5M	At 600 800 1000 1200 Hz		
4	Input Power 输入功率	Rated Power Input 3.0w	Maximum Power Input 4.0w		
5	Frequency Response 频率范围	FO- 7KHz	Output S.P.L. ± 10dB		
6	Operation 纯音检听	Must be normal 正常	Program Sources Signal 3w / 3.4v		
7	Buzzer & Rattles 异常音	Must be normal 正常	Sine Wave 3.4v		
8	Distortion 失真率	5% Maximum	Rated Power Input 1000 Hz		
9	Polarity 极性	With positive D.C. voltage to (+), the cone shall move forward, red point on the PCB is indicated (+)			
Mechanical Structure 机器性能					
10	Voice Coil Size 音圈	Ø13.28*7.0mm-PL			
11	Magnet 磁铁	Ø36* Ø18*6.0mm + Ø32* Ø18*5.0mm Ferrite			
12	Flux. Density 磁束密度	6000 Gauss			
13	Weight 重量	80 ± 5g			
14	Total Flux 支架	Maxwell			
15	Diaphragm 震膜	Paper cone + Foam edge			
Life Test 寿命测试					
16	Loading Test 连续负荷	After test meet item 2 & 3	Noise 3w 24 Hours		
17	High Temperature Test 高温测试	After test meet item 2 & 3	55°C ± 2°C 20~50% R.H. 48 Hours		
18	Low Temperature Test 低温测试	After test meet item 2 & 3	-25°C ± 2°C 20~50% R.H. 16 Hours		
19	Humidity Test 湿度测试	After test meet item 2 & 3	40°C ± 2°C 90~95% R.H. 48 Hours		
20	Slide Shock Test 滑落冲击测试	Must be normal 正常	无包装产品滑落距离 0.5M 斜坡角度 60° ± 5°		
21	High Voltage 耐电压	Must be normal 正常	AC 100V, 1minute		
22	Insulation Resistance 绝缘电阻	Must be normal 正常	DC 100V		
23	Terminal Soldering 焊接测试	Speaker shall continue to operate 10 sec, stabilization supplying lead wire and solder on the terminal board and maintaining for 20 seconds at temperature of 290-320 by hand iron			

For Customer Only 客户专用

Purchasing Dept 采购部	Engineer Dept 工程部	Checker 1 核对	Approval Date 确认日期



## Outlook Drawing 外观图



## Frequency Response Curve 频响曲线图

