



Mylar Speaker Specification 发音器规格书

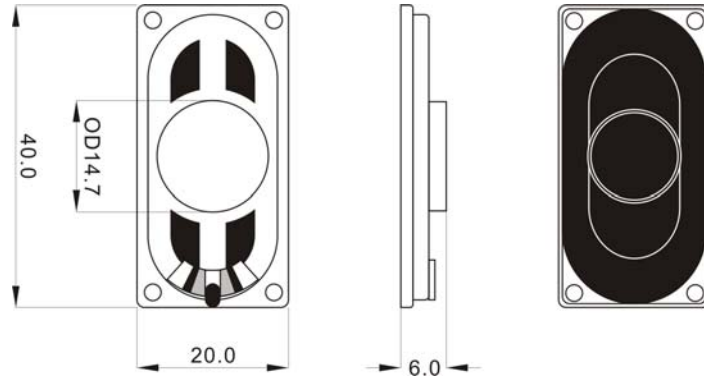
Part no. 型号	2040-N147M6-8	Size 尺寸	20*40mm ± 0.1	Height 高度	6mm ± 0.2
Electrical Feature 电气性能					
No	Item 项目	Specification 规格	Test Condition 测试条件		
1	Voice Coil Impedance 阻抗	8Ω ± 15%	At 1KHz 1.0v		
2	Resonant Freq. FO 共振频率	600 Hz ± 20%	Without Baffle		
3	Output S.P.L. 特性灵敏度	90 ± 3dB	At 1000 1200 1500 2000 Hz		
4	Input Power 输入功率	Rated Power Input 1w	Maximum Power Input 2w		
5	Frequency Response 频率范围	FO- 20KHz	Output S.P.L. ± 10dB		
6	Operation 纯音检听	Must be Normal 正常	Program Sources 1w		
7	Buzzer & Rattles 异常音	Must be Normal 正常	Sine Wave 2.83v		
8	Distortion 失真率	<5% Maximum	1w at 1KHz		
9	Polarity 极性	With positive D.C. voltage to (+), the cone shall move forward, red point on the PCB is indicated (+)			
Life Test 寿命测试					
10	Load Test 连续负荷	Must be Normal 正常	1w White Noise 48 Hours		
11	High Temperature Test 高温测试	Must be Normal 正常	40°C ± 2°C 20~50% R.H. 24 Hours		
12	Low Temperature Test 低温测试	Must be Normal 正常	-25°C ± 2°C 20~50% R.H. 24 Hours		
13	Humidity Test 湿度测试	Must be Normal 正常	40°C ± 2°C 90~95% R.H. 24 Hours		
Mechanical Feature 机器性能					
14	Voice Coil Size 音圈	Ø10.4*8ohm			
15	Magnet 磁铁	Ø9.7*1.5mm NdFeB N40			
16	Flux. Density 磁束密度	Gauss			
17	Weight 重量	Grams.			
18	Frame Case 支架	Metal			
19	Brand Name 品牌	Rhyme			
20	Diaphragm 震膜	Black			
21	Remark 备注				
22	Comply With 遵守	RoHS			
23	Other 其他				

For Customer Only 客户专用

Purchasing Dept 采购部	Engineer Dept 工程部	Checker 1 核对	Approval Date 确认日期



Outlook Drawing 外观图



Unit 单位

mm

Scale 比例

1:1

Frequency Response Curve 频响曲线图

